

FIG.1

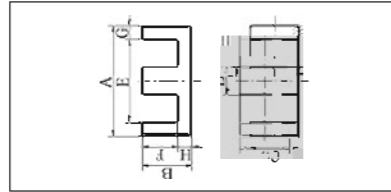


FIG.2

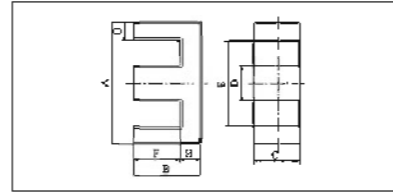


FIG.3

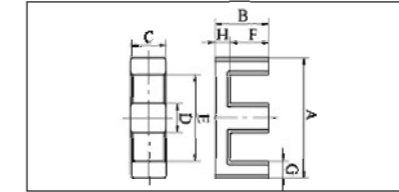
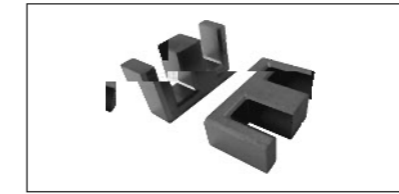


FIG.4

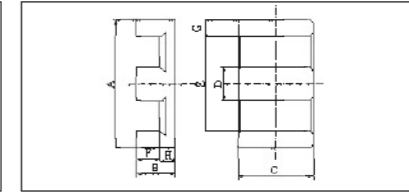
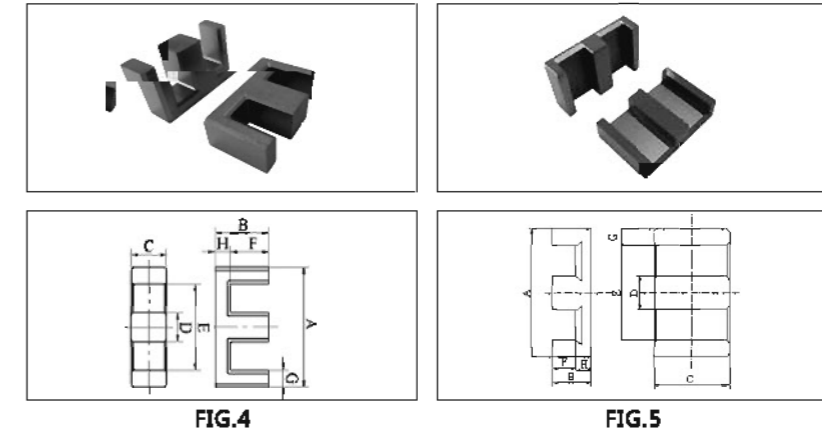
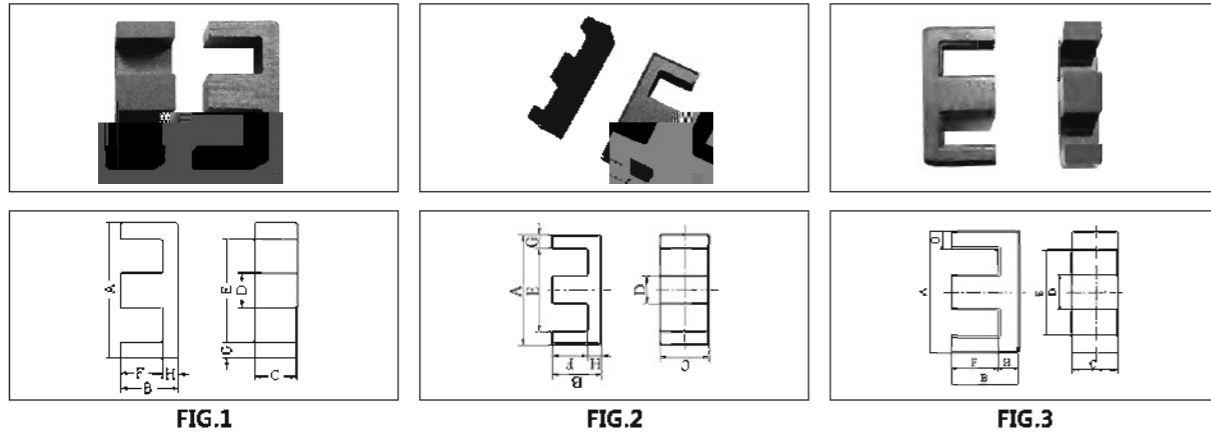


FIG.5

**EE 型 / EE Core**

| 型号<br>TYPE    | 图例<br>FIG. | 尺寸 Dimensions ( mm ) |               |          |             |         |          |
|---------------|------------|----------------------|---------------|----------|-------------|---------|----------|
|               |            | A                    | B             | C        | D           | E       | F        |
| EE16.5/13/9   | 1          | 16.48±0.3            | 6.5+0.1/-0.25 | 9±0.2    | 3.18+0/-0.3 | 9.78min | 4+0.4/-0 |
| EE16/25/5E    | 3          | 16.8±0.2             | 12.5±0.3      | 4.85±0.2 | 4.0±0.15    | 12.5min | 10.3±0.3 |
| EE17.5/15/4.9 | 3          | 17.5±0.3             | 7.5±0.2       | 4.9±0.2  | 4.7±0.15    | 12.7min | 5.3±0.15 |

| C1   | Ae    | Le    | Amin  | Ve      | AL(±25%) |      |         |         | 重量<br>g / PRS |
|------|-------|-------|-------|---------|----------|------|---------|---------|---------------|
|      |       |       |       |         | TS5      | TS7  | TS10镜面  | TS10镜面  |               |
| 0.8  | 35.61 | 28.63 | 27.27 | 1019.50 | 3650     | 4100 | 6400min | 7400min | 5.30          |
| 2.83 | 19.96 | 56.48 | 19.40 | 1127.30 | 1450     | 1750 | 2300min | 2800min | 5.86          |
| 1.65 | 22.2  | 36.55 | 21.56 | 811.30  | 2050     | 2350 | 3400min | 4050min | 4.22          |



**EE 型 / EE Core**

| 型号<br>TYPE       | 图例<br>FIG. | 尺寸 Dimensions ( mm ) |             |             |             |          |             |
|------------------|------------|----------------------|-------------|-------------|-------------|----------|-------------|
|                  |            | A                    | B           | C           | D           | E        | F           |
| EE25/20/6H       | 4          | 25.6±0.5             | 10.0±0.3    | 6.35±0.3    | 6.35±0.3    | 18.8min  | 6.8±0.25    |
| EE30/30/7B       | 3          | 30.5±0.5             | 15±0.3      | 7±0.3       | 6.9±0.3     | 19.5min  | 10.2±0.3    |
| EE32/32/9V       | 4          | 32.1±0.8             | 16.4±0.3    | 9.15±0.35   | 9.2±0.3     | 23.2±0.5 | 11.8±0.3    |
| EE35/29/9O       | 3          | 34.5±1.0             | 14.5±0.3    | 9.2±0.3     | 9.4±0.3     | 25.5min  | 9.9±0.3     |
| EE35/29/9J       | 3          | 35±0.6               | 14.6±0.3    | 9.2±0.3     | 9.4±0.3     | 25.1min  | 9.8±0.3     |
| EE35/30/9        | 3          | 35.0±0.6             | 14.6±0.3    | 9.2±0.3     | 9.4±0.3     | 24.8min  | 9.8±0.3     |
| EE36/37/15B      | 3          | 36±0.6               | 18.6+0/-0.4 | 15.1+0/-0.5 | 10.2+0/-0.5 | 25±0.4   | 12.8+0.5/-0 |
| EE40/35/12B      | 4          | 40.0±0.7             | 17.3±0.3    | 12.0+0/-0.6 | 12.0+0/-0.6 | 26.8min  | 10.3±0.3    |
| EE41/34/13A      | 4          | 40.6±0.6             | 16.5±0.3    | 12.5±0.3    | 12.5±0.3    | 28.6min  | 10.5±0.3    |
| EE43.2/19.1/27.9 | 5          | 43.2±0.51            | 9.55±0.2    | 27.9±0.38   | 8.1±0.2     | 34.7min  | 5.7±0.2     |

| C1   | Ae     | Le    | Amin   | Ve       | AL(±25%) |       |          |          | 重量<br>g / PRS |
|------|--------|-------|--------|----------|----------|-------|----------|----------|---------------|
|      |        |       |        |          | TS5      | TS7   | TS10镜面   | TS13镜面   |               |
| 1.24 | 40.33  | 50.14 | 40.01  | 2022.30  | 3150     | 3700  | 5050min  | 6050min  | 10.50         |
| 1.12 | 59.03  | 66.07 | 48.30  | 3900.30  | 3900     | 4700  | 6000min  | 7350min  | 20.30         |
| 0.91 | 83.16  | 75.52 | 81.44  | 6280.00  | 5050     | 6100  | 7600min  | 9300min  | 32.60         |
| 0.87 | 80.88  | 70.42 | 73.60  | 5695.60  | 5100     | 6200  | 7700min  | 9450min  | 29.60         |
| 0.81 | 86.77  | 70.37 | 85.56  | 6106.40  | 5500     | 6650  | 8400min  | 10100min | 31.80         |
| 0.8  | 87.69  | 70.2  | 86.48  | 6155.40  | 5550     | 6700  | 8400min  | 10500min | 32.00         |
| 0.54 | 155.62 | 83.74 | 147.02 | 13030.20 | 8800     | 10500 | 13200min | 16000min | 67.80         |
| 0.52 | 148.23 | 77.13 | 136.89 | 11433.00 | 8850     | 10500 | 13300min | 16450min | 59.50         |
| 0.52 | 149.22 | 77.41 | 142.50 | 11551.40 | 8890     | 10800 | 13300min | 16450min | 60.10         |
| 0.28 | 221.68 | 61.95 | 214.83 | 13733.10 | 15000    | 18000 | 22000min | 28000min | 71.40         |