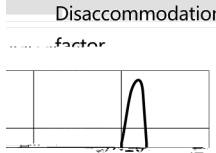
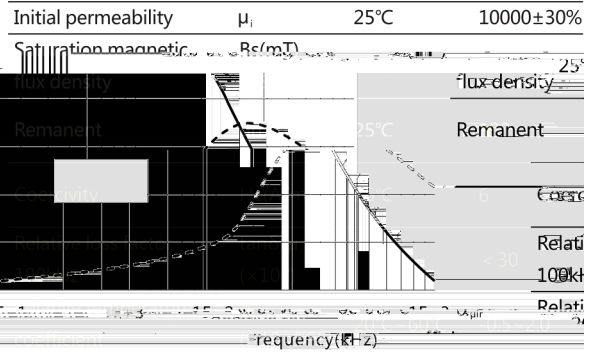
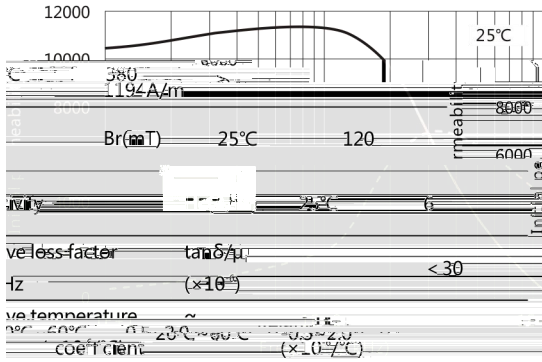


**$\mu'$  ( $\mu''$ )-Frequency**



Disaccommodation $D_F$	1~10min	< 2.0
Curie temperature $T_c$ (°C)		≥ 125
Electrical resistivity $\rho$ (Ω·m)		0.2

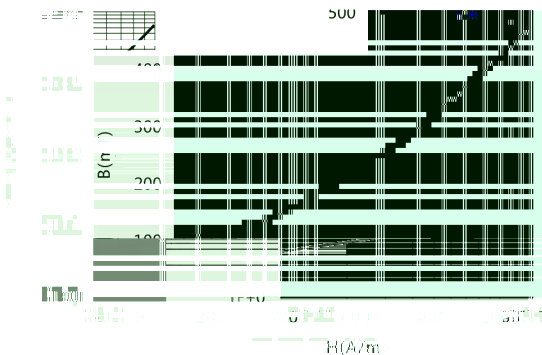
**$\mu$ -Temperature**



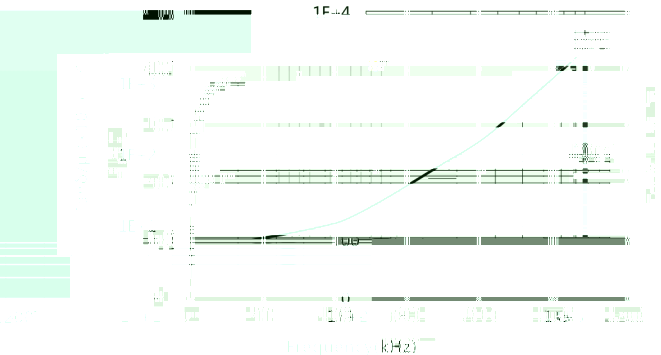
Curie temperature $T_c$ (°C)	≥ 125
Electrical resistivity $\rho$ (Ω·m)	0.2

Test core : Toroid (mm)	
OD : 18	
ID : 8	

**B-H**

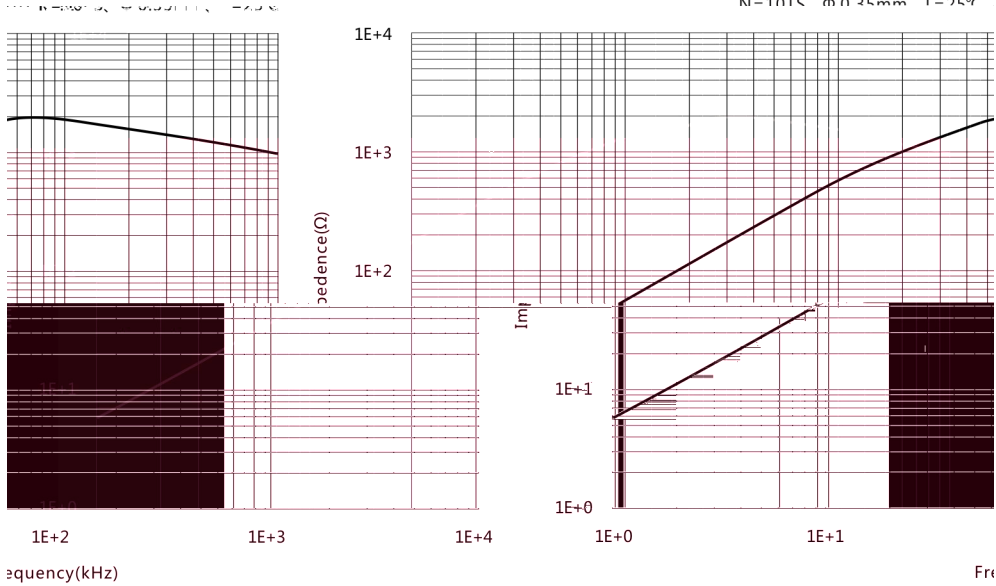


**$\tan\delta/\mu$ -Frequency**



**Z-Frequency**

N=10TS  $\phi$ 0.35mm T=25°C



**Temperature**

H=1194A/m

**Bs-T**

